

# NV LogIQ Power Supply



## Features

**The NVLogIQ PSU is an adaptive Environmental Ventilation single-zone control panel and can be networked in multi-zone projects.**

The NVLogIQ PSU can operate on a stand-alone basis operating on manual switches or can be connected to the BMS to operate the AOVs as required.

The NVLogIQ PSU can be installed into new and refurbished buildings where there is a focus on indoor air quality and energy saving.

The physical size and appearance has been purposely designed to enable surface mounting for new and refurbishment projects.

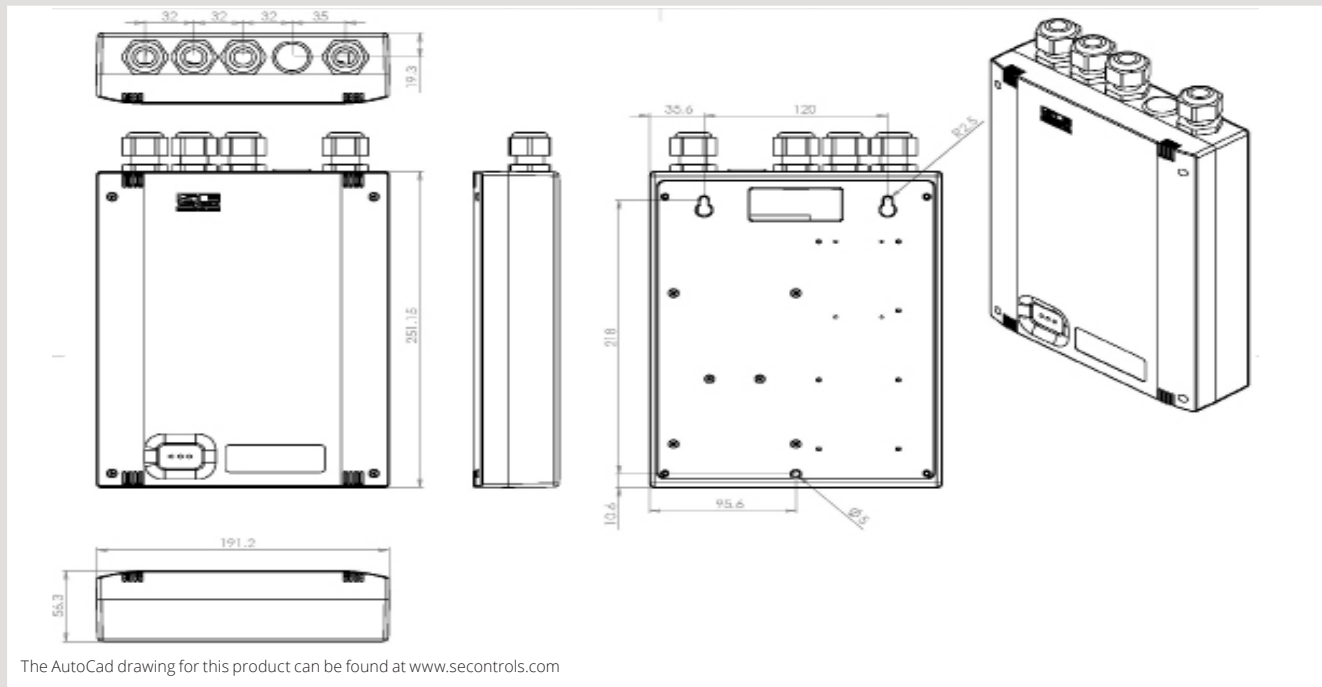
## Accreditations



## Applications



## Technical Drawing



### Power

- Class 1
- Supply 230V ac 50/60 Hz from a fused unswitched spur
- Input:
  - 100-120V ac 3.5A
  - 200-240V ac 2.0A
- Note: For 115V ac operation, the mains input voltage selection switch must be set on the internal power supply.
- Output: 4.8A max actuator run current
- Note: Start up peak current needs to be considered and can vary depending on actuator type. Derate linearly to 70% load from +50 to +70°C.
- Real time clock battery life is 10 years

### Environment

- IP rating 20
- Humidity range 10% to 90% Non-condensing
- Storage -20°C to +75°C
- Operating temperature -10°C to + 50°C

### Miscellaneous

- Dimensions: 251.15 (excluding glands) x 191.2 x 56.3mm
- Cable entry: via five 20mm end mounted cable glands
- 0-10 Volts signals must remain stable and 'spike' free for a period of 2 seconds before the controller will respond to them. In 10% step mode, the controller only responds to 0-10V signals in steps of whole volts +- 250mV. In 5% step mode, each step is half a volt

### Product Codes

**NV LOGIQ PSU CONTROL PANEL 4.8V**

NPS00010002