

Fan Control Panel

Fixed Speed



Controllers / 415V 3Ph/ 50Hz

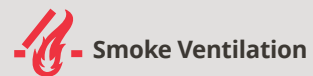
The Fixed Speed Fan Control Panel has the following features:

- Duty fan and standby fan control
- External fire fighters key switch control (auto/off)
- Simple hard wired activation
- Pressure sensor switch input for changeover under Duty fan fail
- System state indication on panel face via LED's
- Activation/healthy volt free contacts for BMS monitoring
- Fan panel status can be viewed via associated SHEVTEC repeater panel

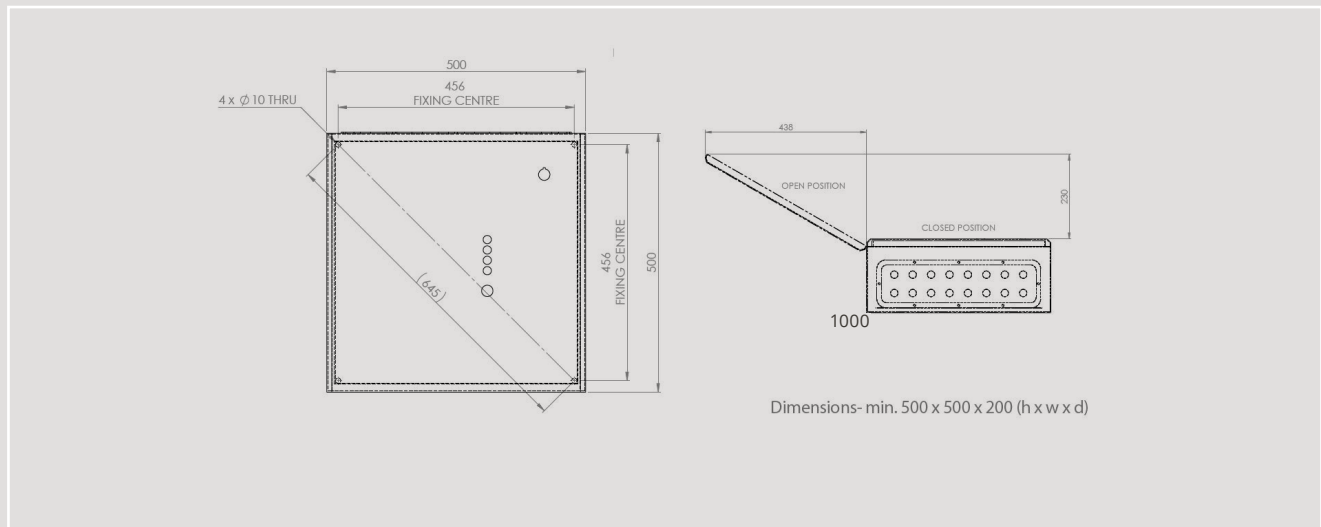
Accreditations



Applications



Technical Drawing



Power

- Class 1
- Supply 415V 3Ph/50Hz from external ACOPS unit
- Three pole isolating switch on panel face for service requirement
- Current rating up to 22.5A (11kW)
- Spike current tolerance x 7 max current rating

Environment

- IP rating 32
- Humidity 10 to 90% non-condensing
- Storage -20 to +75°C
- Operating temperature -5 to 40°C

Miscellaneous

- Weight from 21kg
- Dimension 500 x 500 x 200 mm (H x W x D)

Product Codes

Fan Panel - FCS 0022 0000

Fan Panel with Visual Indication - FCS 0022 0020