

Twin SECO Ni 40

Chain Actuator / 230 V / 2 x 400 N



Chain Actuator / 230 V ac / 2 x 400 N

The Twin SECO Ni 40 is a compliant Chain Actuator designed to provide precise and reliable operation for Environmental Ventilation applications.

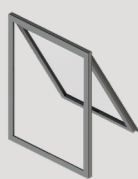
SE Controls manufacture this high-quality 'Made in Britain' actuator with the following features:

- 'Frequency of operation' data logging records every actuator movement
- Compact design with variable options for stroke length
- Standard finish is RAL 9006, (White Aluminium), but may be customised to suit installation requirements
- Standard flex length is 2 m but this can be modified to suit installation requirements
- Extensive range of brackets to suit a variety of window systems
- Quiet operation with configurable speed control

Orientation



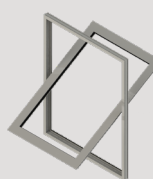
Bottom Hung



Top Hung



Side Hung

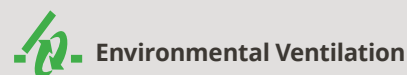


Centre Pivot

Accreditations



Applications



Associated Controls

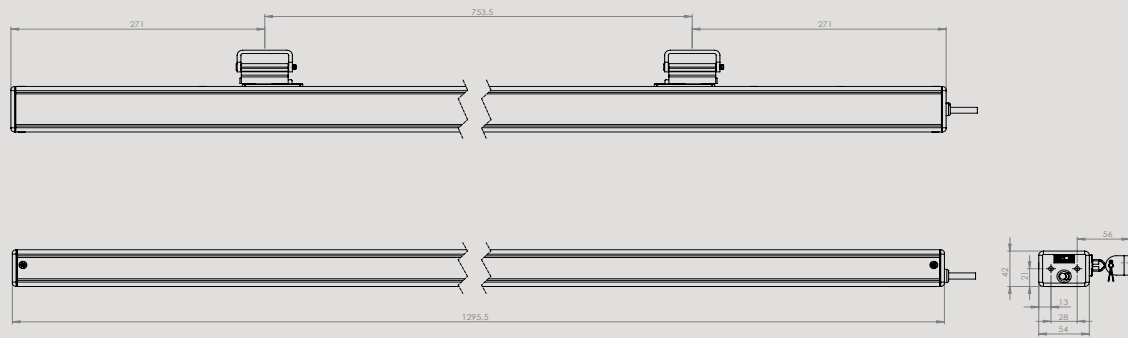
Controller	No. Actuators ¹
OS2 AC Controller	8

¹ Recommended maximum number of actuators. The maximum number of actuators is based on optimum operating conditions, please contact SE Controls for more information.



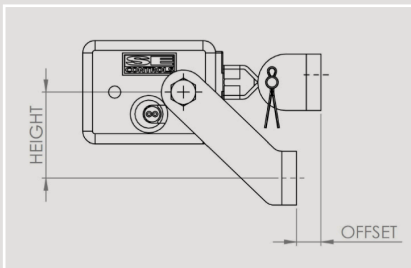
Voltage to 230V chain actuators must be switched off after each operation with a rest period required between cycles.

Technical Drawing



All dimensions in millimetres
The AutoCAD drawing for this product can be found at www.secontrols.com

Standard Bracket Detail



Technical Data

Actuator	Twin SECO Ni 40
Actuator Type	Chain Actuator
Voltage (all ± 6%)	230 V ac
Amp Draw Current	0.5 A
Stroke	20 mm- 600 mm (Configurable)
Operating Speed	15mm/sec min. 5mm/sec (configurable)
Ambient Operating Temp	-5°C to +60°C
Thrust Force	2 x 400 N
Close Force	2 x 400 N
Clamping Force	2 x 4000 N
Soft Close	Yes
Switching	Electronic
Seal Relief	Programmable up to 20 mm
Standard Finish Powder Coated	RAL 9006 (White Aluminium)
Colour Option	Other RAL colours available on request
Flex Length	2 m
Flex Type	4 core PVC
Flex Colour	Grey
Duty Cycle	22% (approx 2 mins on, 7 mins off)
IP Rating	IP20
Product Warranty	15,000 cycles, or 12 months ¹
Bracket	Sill fixing/ open inward/ face fix bracket
Application	Environmental Ventilation

¹ Commercial terms for each project will supersede this warranty information.

Bracket Product Codes

Offset (mm)	Height (mm)		
	35	40	50
0	AKS16000001	AKS16000002	AKS16000003
5	AKS16050001	AKS16050002	AKS16050003
8	AKS16080001	AKS16080002	AKS16080003
10	AKS16100001	AKS16100002	AKS16100003
15	AKS16150001	AKS16150002	AKS16150003
20	N/A	N/A	AKS16200003

Product Codes

White Aluminium (RAL 9006)	Operating Voltage	Force	Stroke
DAST1406005	230 V	400 N	600 mm