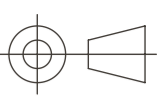
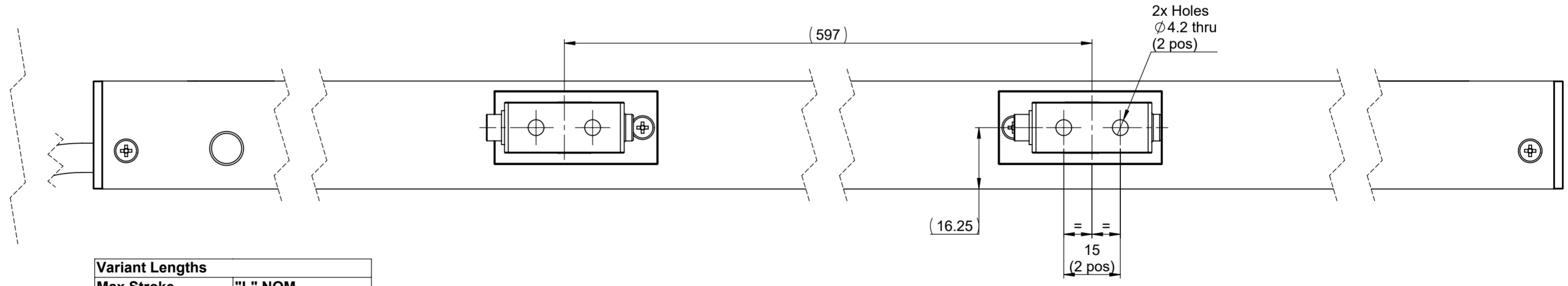
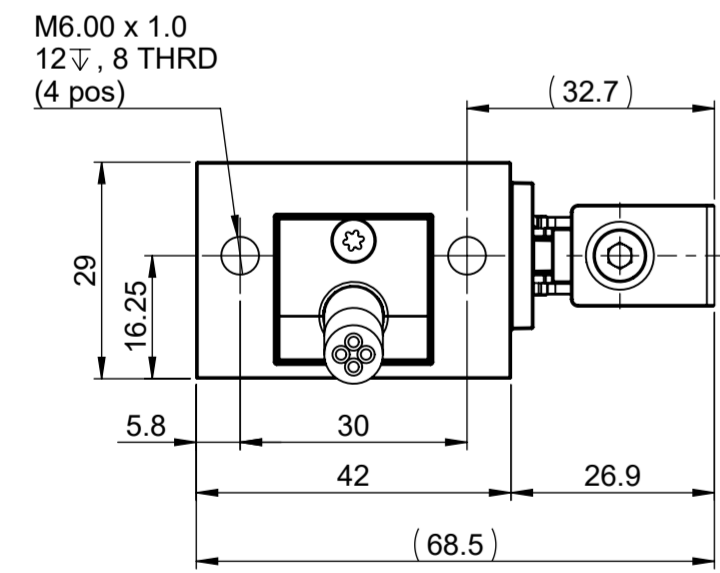
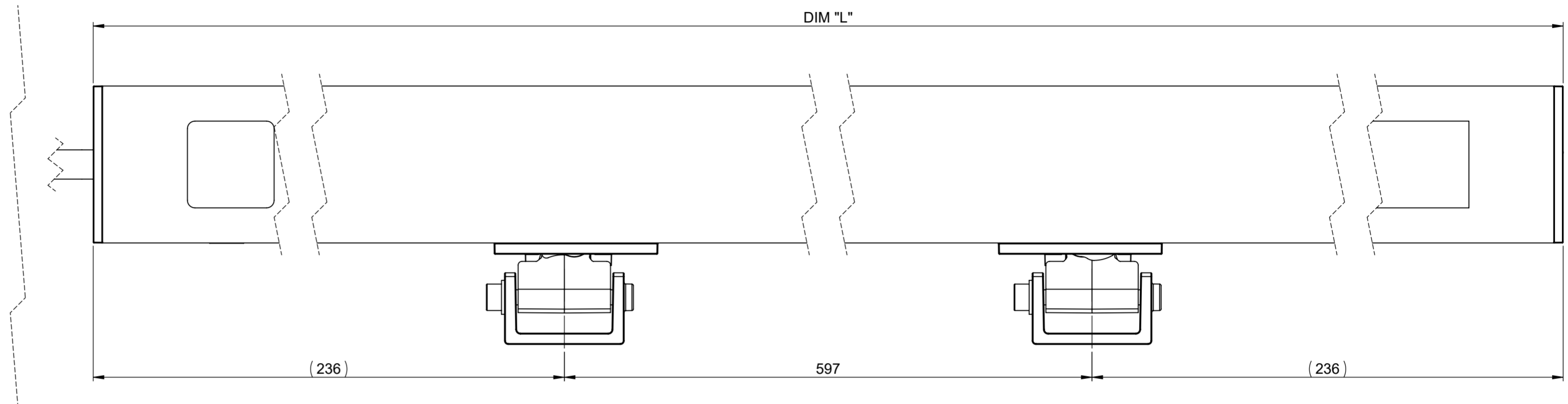
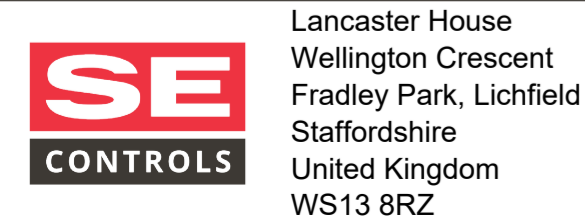


DO NOT SCALE - If In Doubt, Ask

A2
1:1
P1/1

Variant Lengths	
Max Stroke	"L" NOM
425	1069.0



Comments
 Please contact SE Controls for further details © 2022

Dimensions mm, UOS.

REV	CN	Auth: CHK:
REV	CN	Auth: CHK:
REV A	07/10/2022 CN -	Auth: ACAR CHK: ACAR

Accompanying Doc to GA0014 REV A.

Material:
 Finish Clean, UOS - No Burrs/Sharps:

Description
 AT12 Chain Actuator (Twin) Technical Sales GA

Weight (kg, UOS)	Project	EXT # - DEV # GA0014-TecS Item # See Main DWG
----------------------------	----------------	--

REV
A