

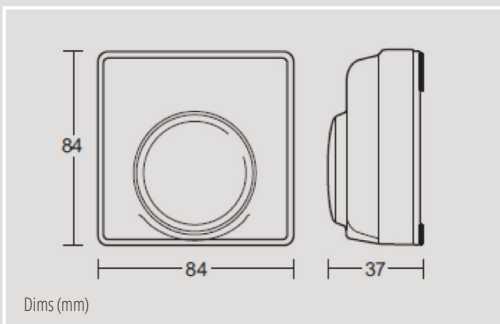
Thermostat



Features

- To give automatic temperature control
- Dual diaphragm temperature sensing element
- Suitable for surface or switch box mounting
- Heat anticipator for close temperature control
- 10 to 30°C setpoint range
- Change-over contact switching
- Double insulated

Technical Drawing



Accreditations



Product Codes

Thermostat	FCS00520002
------------	-------------

Applications

