

1 2 3 4 5 6 7 8 9 10 11 12

A

B

C

D

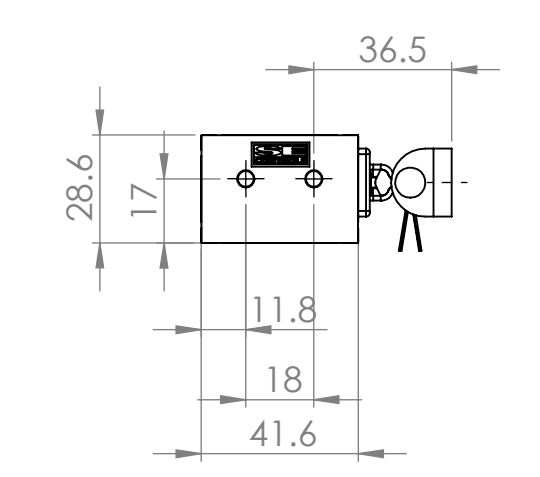
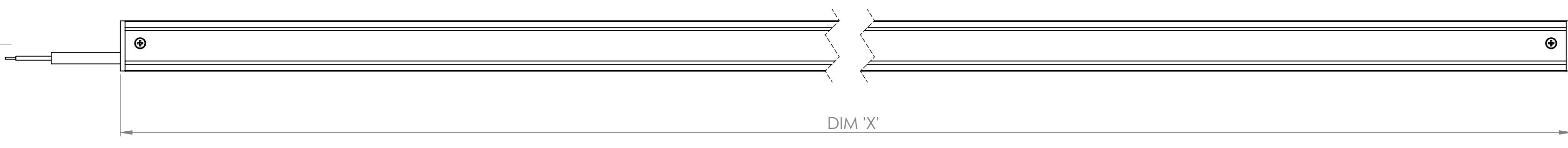
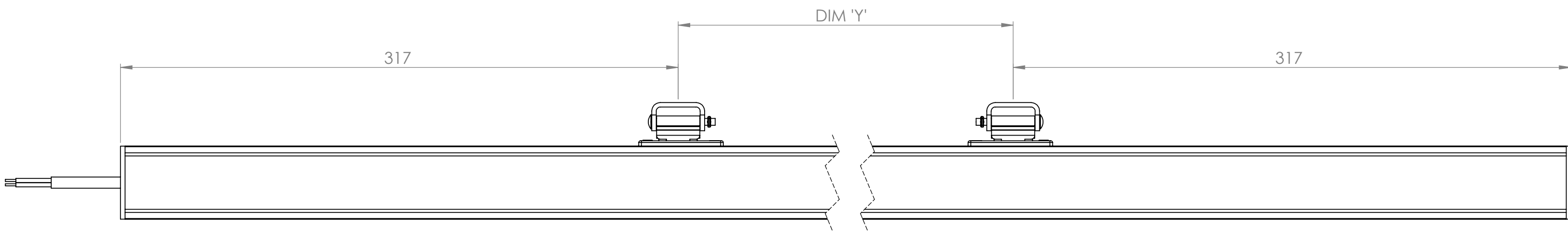
E

F

G

H

1 2 3 4 5 6 7 8



PRODUCT	DIM 'X' (mm)	DIM 'Y' (mm)	STROKE (mm)
AAST250350S	1131	497	MAX 350
AAST251350S	1309	675	MAX 350
AAST252350S	1359	725	MAX 350

UNLESS OTHERWISE SPECIFIED: DIMENSIONS ARE IN MILLIMETERS		FINISH:			
SURFACE FINISH:		MATERIAL:			
TOLERANCES: LINEAR: ± 0.15 ANGULAR: ± 0.5°		DO NOT SCALE		A REVISION	
DRAWN: C COULDREY		SIGNATURE:		1ST ISSUE	
CHK'D:		DATE: 20.07.15		DESCRIPTION OF CHANGE	
APP'VD:				CN NO	
MFG:				TITLE: <b>SECO N 24 25 - TWIN - OUTLINE DRAWING</b>	
<b>SE</b> CONTROLS secontrols.com		Lancaster House, Wellington Crescent, Fradley Park, Lichfield Staffordshire. WS13 8RZ		DWG NO.	
				SCALE:1:2	
				SHEET 2 OF 2	
				A2	