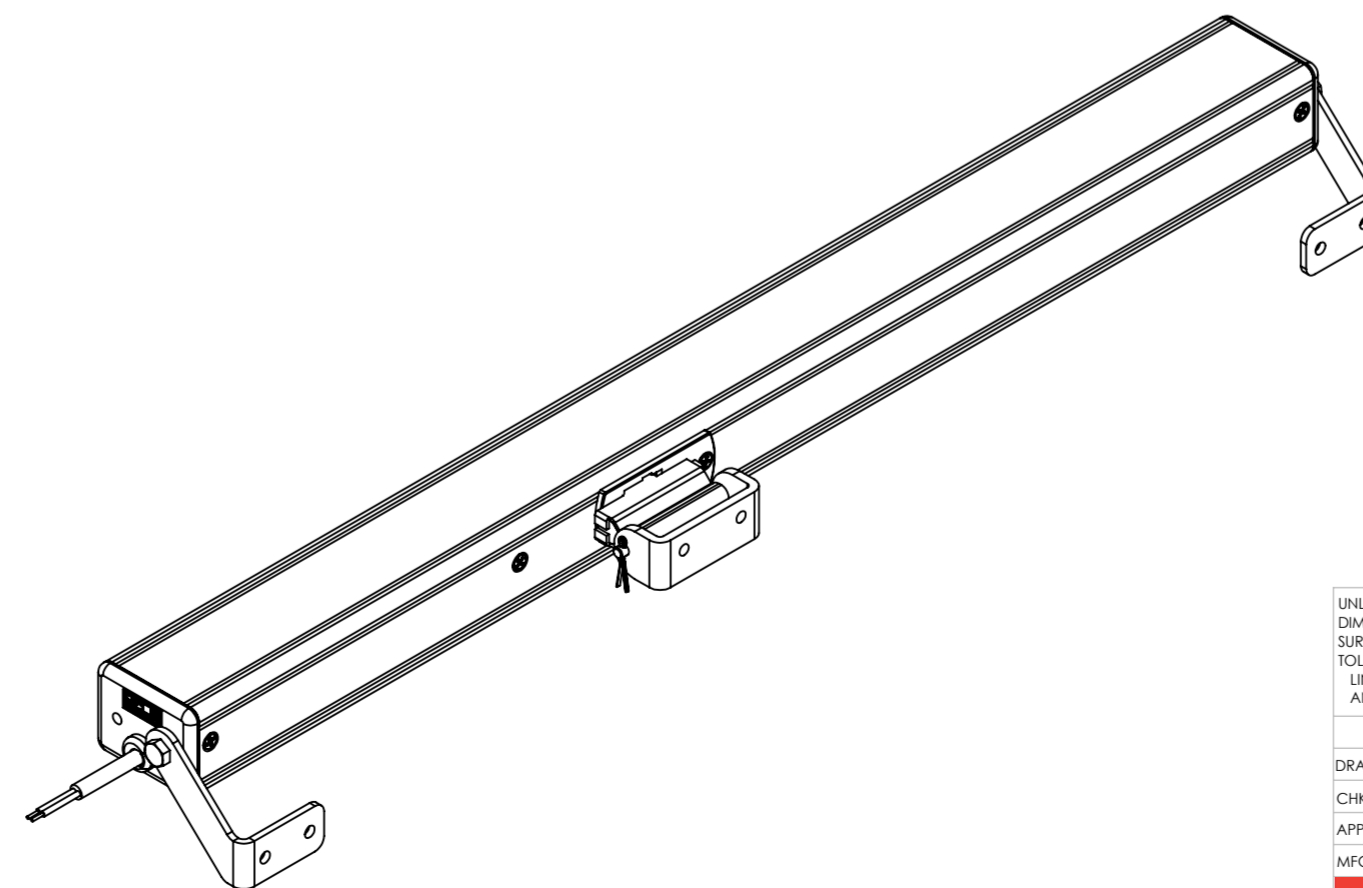


FACE FIX OPTION

PRODUCT	DIM 'X' (mm)	STROKE (mm)
AAS1400600S	635	UP TO 600
AAS1400900S	785	601-900

Series 40						
Height (mm)	Offset (mm)					
	0	5	8	10	15	20
35	AKS16000001	AKS16050001	AKS16080001	AKS16100001	AKS16150001	N/A
40	AKS16000002	AKS16050002	AKS16080002	AKS16100002	AKS16150002	N/A
50	AKS16000003	AKS16050003	AKS16080003	AKS16100003	AKS16150003	AKS16200003



UNLESS OTHERWISE SPECIFIED: DIMENSIONS ARE IN MILLIMETERS SURFACE FINISH: TOLERANCES: LINEAR: ± 0.15 ANGULAR: ± 0.5°			FINISH: MATERIAL: DO NOT SCALE		A REVISION TITLE:		1ST ISSUE DESCRIPTION OF CHANGE CN No		
DRAWN	NAME	SIGNATURE	DATE						
CHK'D	Craig Couldrey		21/09/2015						
APPV'D									
MFG									
SE CONTROLS secontrols.com				Lancaster House, Wellington Crescent, Fradley Park, Lichfield Staffordshire. WS13 8RZ			DWG NO.		A2
				SCALE: 1:1.5		SHEET 2 OF 2			

SECO Ni 24 40 - FACE FIX BRACKET OPTIONS