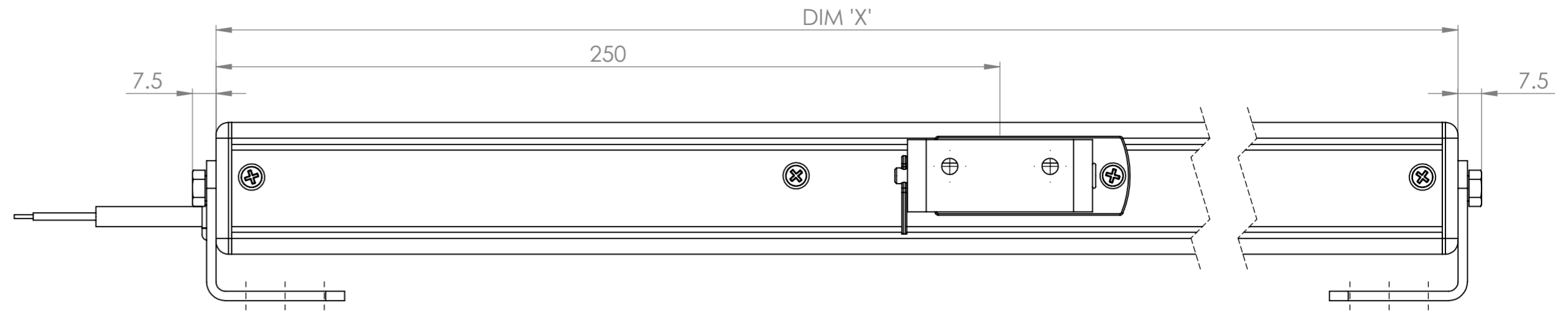


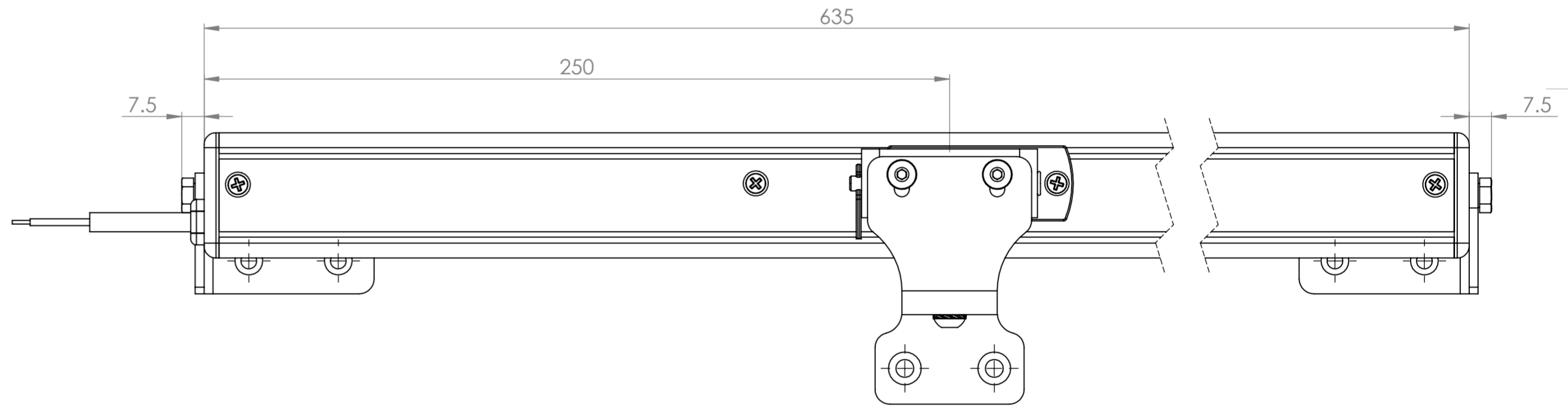
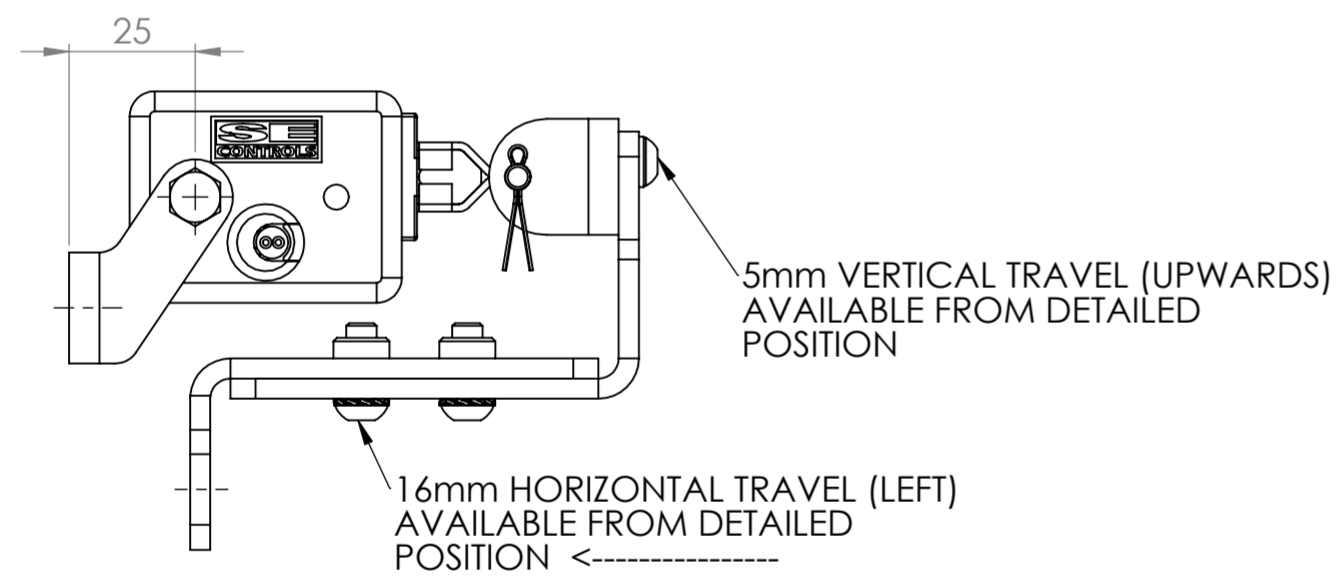
NOTE - CORRECT BRACKET ORIENTATION



SILL FIX OPTION

PRODUCT	DIM 'X' (mm)	STROKE (mm)
AASi400600S	635	UP TO 600
AASi400900S	785	601-900

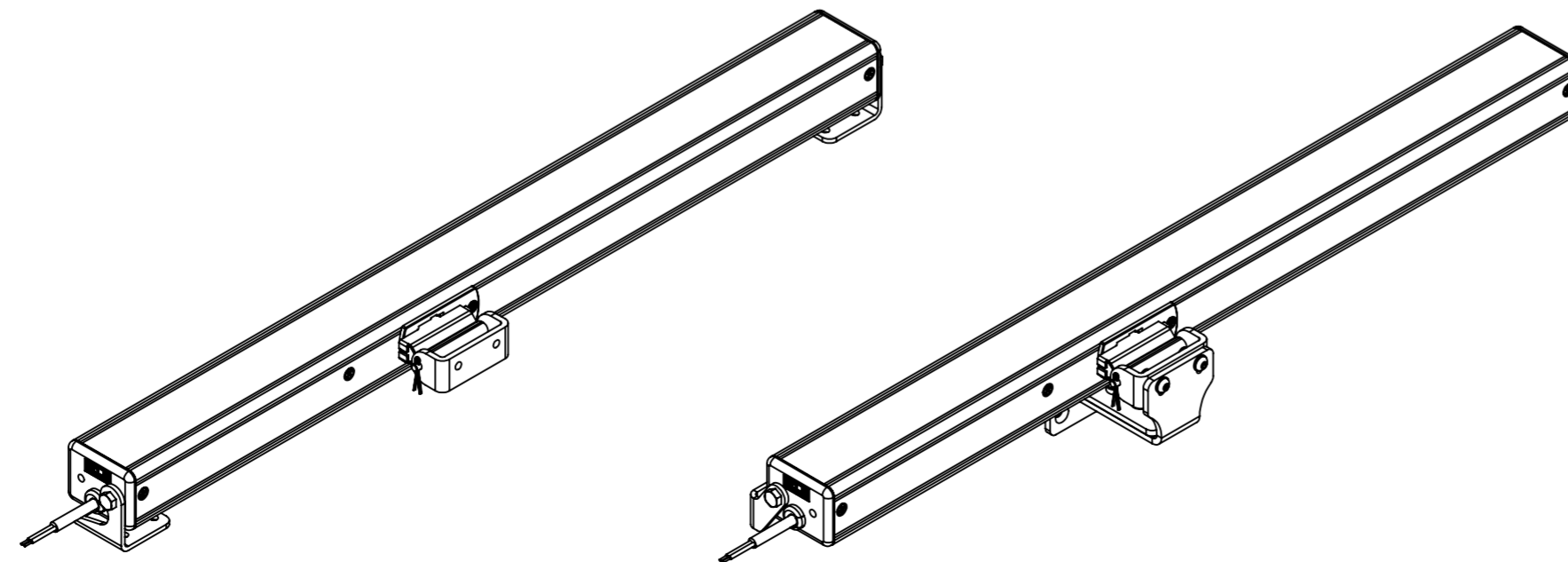
DRAWING DETAILS KIT AKS 0002 0010



OPEN IN BRACKET OPTION

PRODUCT	STROKE (mm)
AASi400600S	UP TO 600

NOTE -  
 • CURRENT OPEN IN APPLICATION LIMITED TO SECO Ni 24 40 & SECO Ni 40 UPTO 600mm STROKE.



UNLESS OTHERWISE SPECIFIED: DIMENSIONS ARE IN MILLIMETERS		FINISH:			
SURFACE FINISH:		MATERIAL:			
TOLERANCES: LINEAR: ± 0.15 ANGULAR: ± 0.5°		DO NOT SCALE		A REVISION	
				1ST ISSUE DESCRIPTION OF CHANGE	
				CN No	
NAME	SIGNATURE	DATE	TITLE:		
DRAWN: Craig Couldrey		21/09/2015	SECO Ni 24 40 - BRACKET OPTIONS		
CHK'D:					
APP'VD:					
MFG:					
<b>SE</b> CONTROLS secontrols.com		Lancaster House, Wellington Crescent, Fradley Park, Lichfield Staffordshire. WS13 8RZ		DWG NO. SECO Ni 24 40 - BRACKET OPTIONS	
SCALE: 1:1.5		SHEET 1 OF 2		A2	